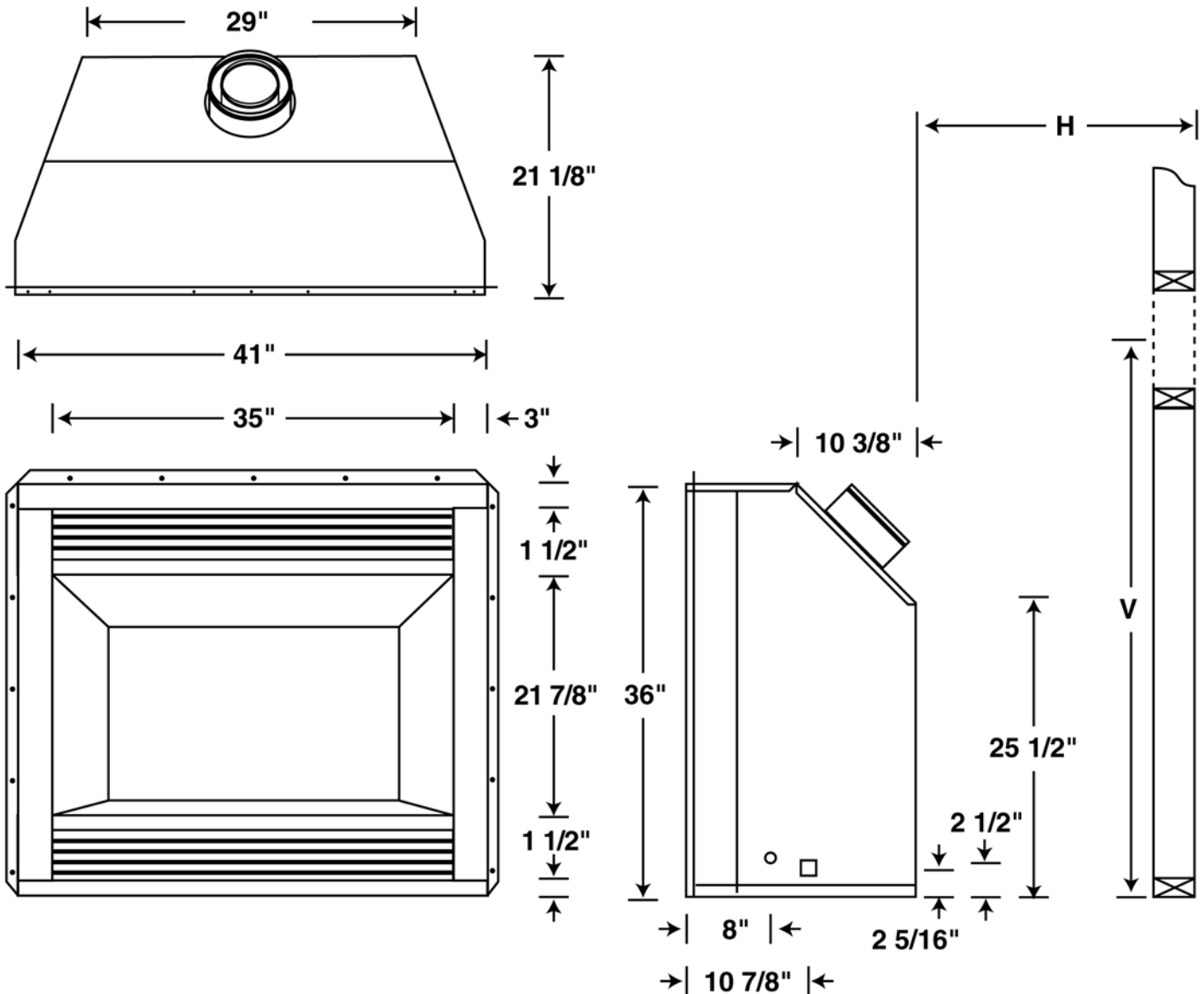


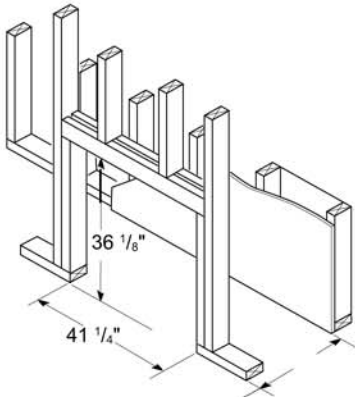
The Selway

36" Direct Vent Fireplace
(5" - 8" Vent Pipe)

Typ. Ground Floor Installation (1 - 45° Elbow)			Installations requiring a 45° and 90° Elbow		
Horiz. Run (H)	Min. Height (V)	Required Horiz. Pipe	Horiz. Run (H)	Min. Height (V)	Required Vert. Pipe
17" max.	36"	12" max.	30" max.	47 1/4"	none
			48" max.	57 1/4"	12"
			60" max.	69 1/4"	24"
			84" max.	81 1/4"	36"
			144" max.	93 1/4"	48"

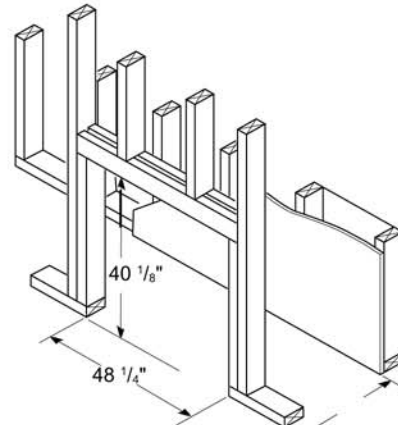


The Selway - Specifications



21" Horizontal Vent
24 1/2" Vertical Vent

Figure 4 - Framing Clearances for Installation Against an Exterior Wall



23" Horizontal Vent
26 1/2" Vertical Vent

Figure 4 - Framing Clearances for Installation Against an Exterior Wall

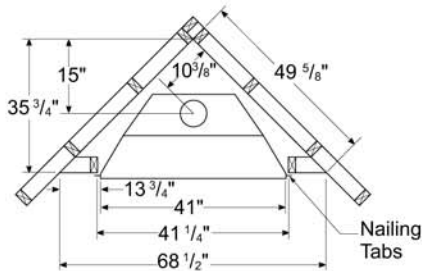


Figure 5 - Framing Clearances for Corner Installation

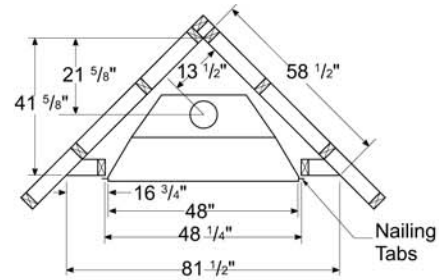


Figure 5 - Framing Clearances for Corner Installation

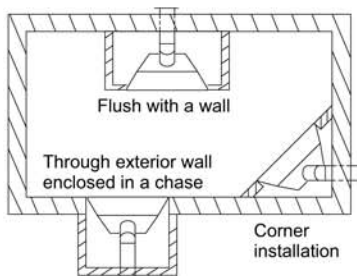


Figure 2 - Common Fireplace Locations

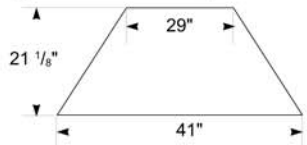


Figure 3 - Fireplace Bottom Dimensions

36" Framing Dimensions

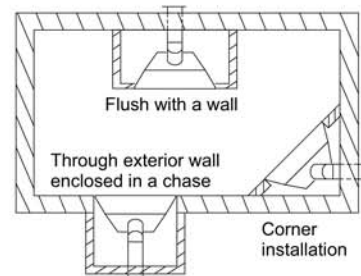


Figure 2 - Common Fireplace Locations

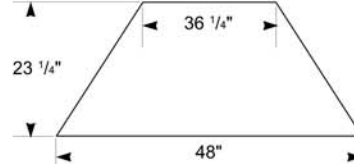


Figure 3 - Fireplace Bottom Dimensions

42" Framing Dimensions

For more information or dealer locations please visit us on the web or contact us.

IRONHAUS, Inc.

113 Lewis LN, Hamilton, MT 59840

1.866.880.0900 406.961.1800 406.961.1801 fax www.ironhaus.com