

# IRONHAUS

Handcrafted Fireplace Systems

# The Selway

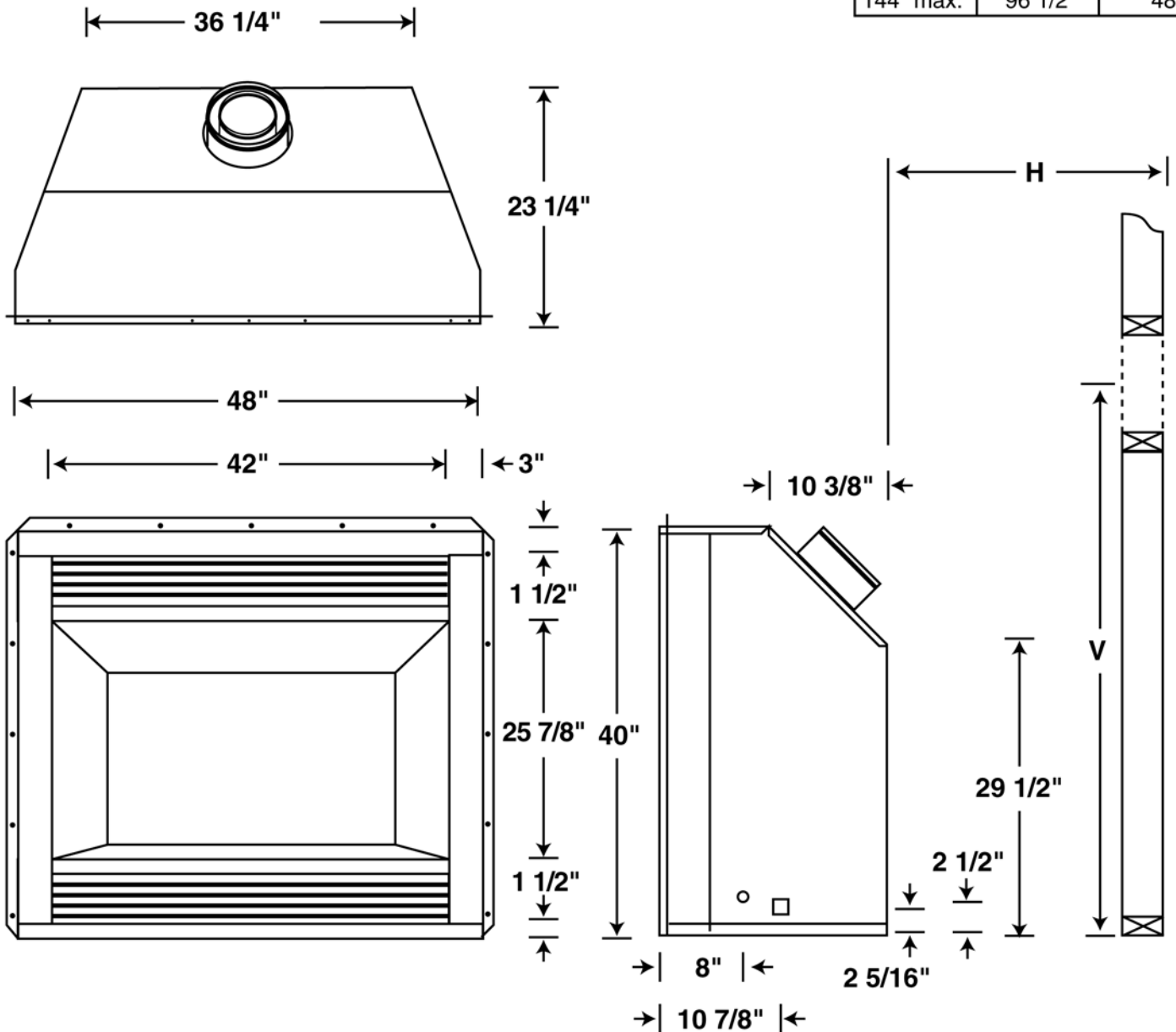
**42"** Direct Vent Fireplace  
(5" - 8" Vent Pipe)

**Typ. Ground Floor Installation**  
(1 - 45° Elbow)

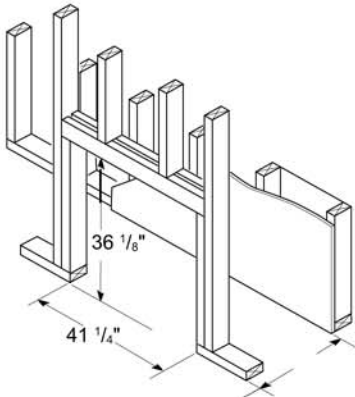
Horiz. Run (H)	Min. Height (V)	Required Horiz. Pipe
17" max.	39"	12" max.

**Installations requiring a 45° and 90° Elbow**

Horiz. Run (H)	Min. Height (V)	Required Vert. Pipe
30" max.	50 1/2"	none
48" max.	60 1/2"	12"
60" max.	72 1/2"	24"
84" max.	84 1/2"	36"
144" max.	96 1/2"	48"

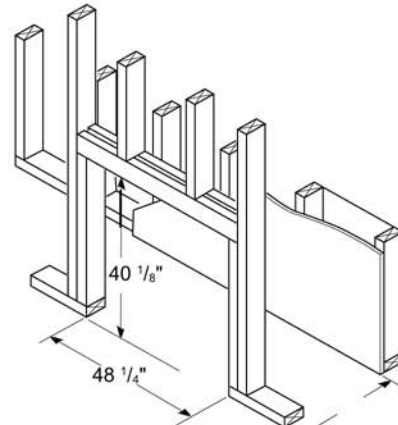


# The Selway - Specifications



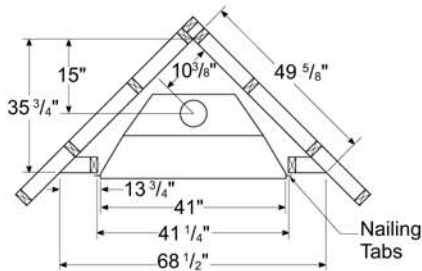
21" Horizontal Vent  
24 1/2" Vertical Vent

**Figure 4 - Framing Clearances for Installation Against an Exterior Wall**

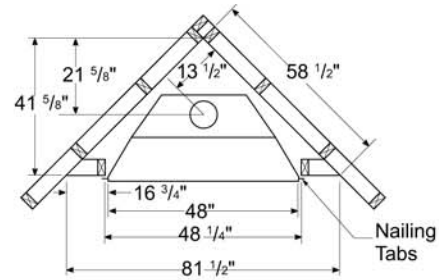


23" Horizontal Vent  
26 1/2" Vertical Vent

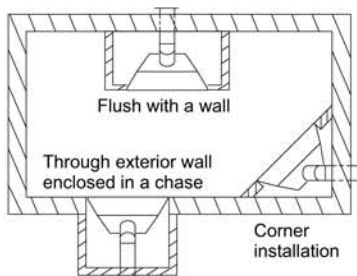
**Figure 4 - Framing Clearances for Installation Against an Exterior Wall**



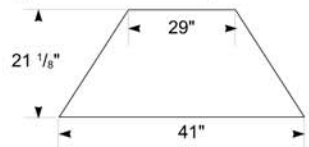
**Figure 5 - Framing Clearances for Corner Installation**



**Figure 5 - Framing Clearances for Corner Installation**

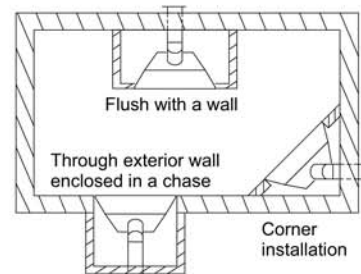


**Figure 2 - Common Fireplace Locations**

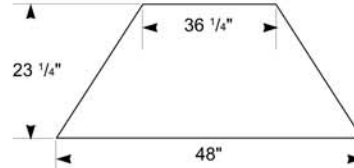


**Figure 3 - Fireplace Bottom Dimensions**

36" Framing Dimensions



**Figure 2 - Common Fireplace Locations**



**Figure 3 - Fireplace Bottom Dimensions**

42" Framing Dimensions

For more information or dealer locations please visit us on the web or contact us.

IRONHAUS, Inc.

113 Lewis LN, Hamilton, MT 59840

1.866.880.0900 406.961.1800 406.961.1801 fax www.ironhaus.com